

WG2

Benefits

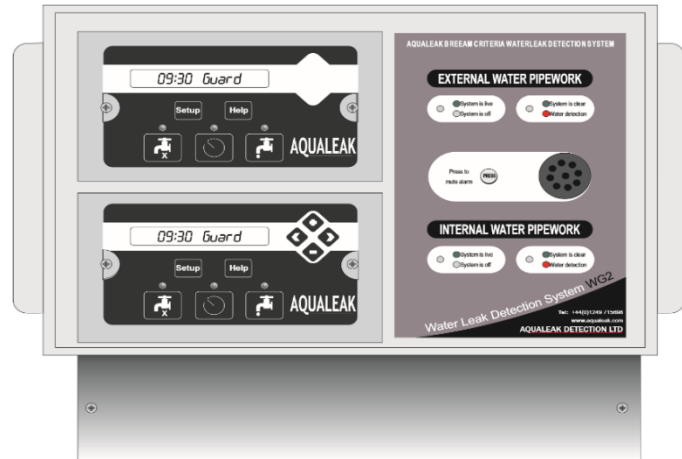
- Monitors for both internal and external leaks
- Audible alarm is activated when a leak is detected
- LED lights illuminate to inform the user there is a leak
- External display and setting panel for ease of use

Main Features

- Covers all mains supplies both inside and outside the building
- Different flow rates can be identified (this is adjustable)
- The standard two zone WG2 system comprises of a WG control unit with two displays marked 'internal' and 'external'

The WG2 system complies with BREEAM 2014 Section WAT02/ WAT03. It is a Major Leak Detection System which covers the internal and external points of the mains incoming cold water pipe of a building. It is programmable, has an audible alarm and can identify different flow rates

The standard two zone WG2 system comprises a WG Control Unit with two displays marked 'Internal' and 'External', connected to two pulsed output water meters. One water meter is installed at the property boundary, and one installed inside the building just after the stopcock. The one at the boundary will monitor for external leaks, the other will monitor for internal leaks.

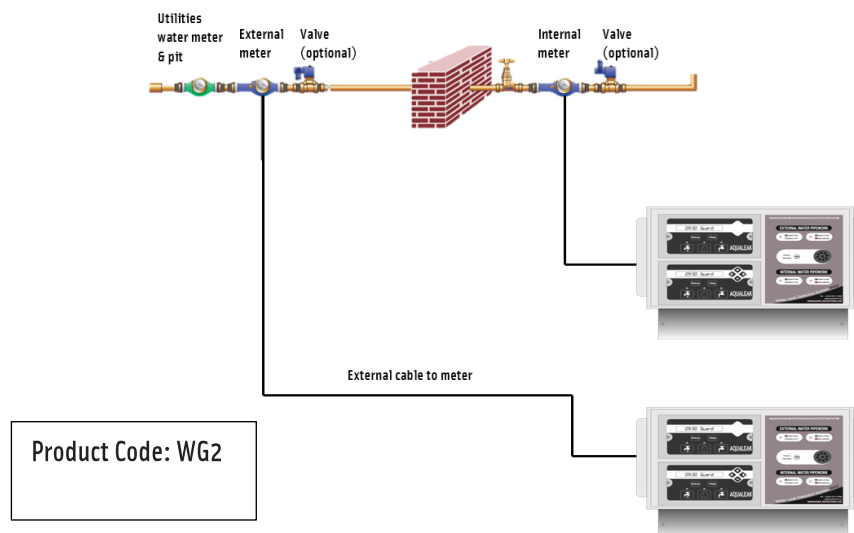


The system operates by monitoring the number of pulses given out by the pulse reader attached to the water meters. This equates to the volume of water with 1 pulse being equal to 10 litres of water. The control unit has the capability of being programmed to suit the occupants' requirements between 10 and 320,000 litres of water in a 30 minute period. There is a pulse splitter allowing pulses from the water meter to be registered at both the control unit and the BMS.

Various parameters can be adjusted including:

- Water volumes
- Occupancy periods
- Days of the week

If latching valves are required, the system can then shut off the water when flow is exceeded, or at specific times of the day.



WG2 SYSTEM SPECIFICATIONS

System/Dimension	Width (mm)	Height (mm)	Depth (mm)
WG2 (control unit)	296	251	118
Meters	Subject to pipe size	Subject to pipe size	Subject to pipe size

Electrical specifications

Mains 230VAC single phase L.N.E. LIVE is fused with a 20mm, 2A power fuse.
 External & Internal Alarm Relay is rated 230VAC, 6A.
 Reset Relay is rated 230VAC 2A.

Panel to Meter cabling: Screened 1mm² conductor (pair) up to 500m

Panel to Latching Valve cabling: 1mm² conductor (pair) up to 100m
 2.5mm² conductor (pair) up to 500m

WG2 SYSTEM SCHEMATIC

